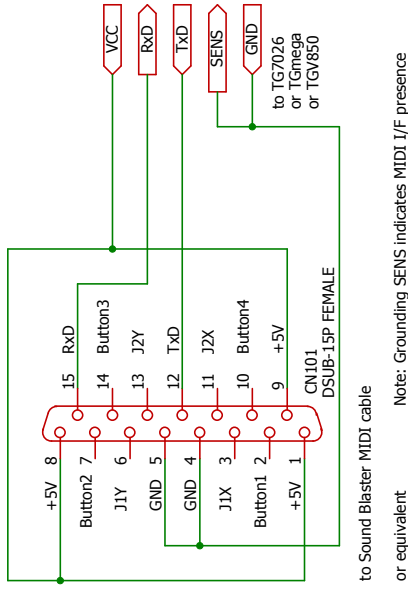
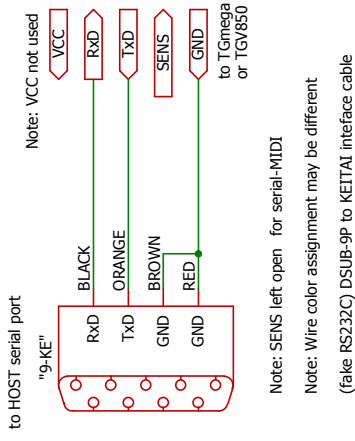


MIDI interface and serial-MIDI (RS232C) interface for TGamma / TG7026 / TGV850

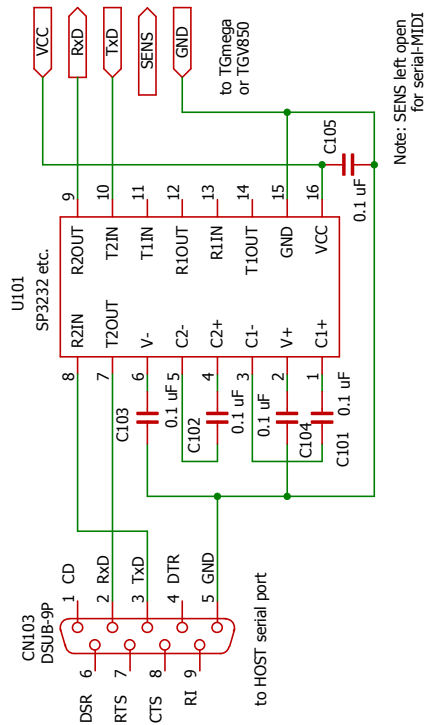
(a) MIDI interface using Sound Blaster MIDI cable



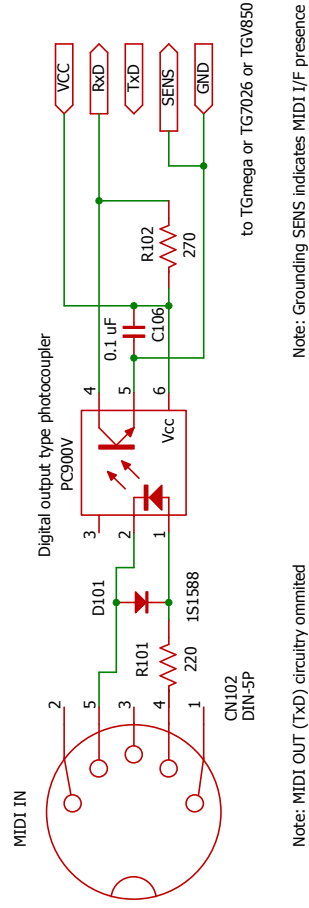
(c) Serial-MIDI (fake RS232C) interface using "9-KE" cable



(d) Serial-MIDI (true RS232C) interface using transceiver IC



(b) MIDI interface using conventional circuit such as shown at web page of MIDI Manufacturers Association



(e) MIDI interface using conventional photo coupler (PC817, TLP521, TLP621, PS2501 ... etc.)

