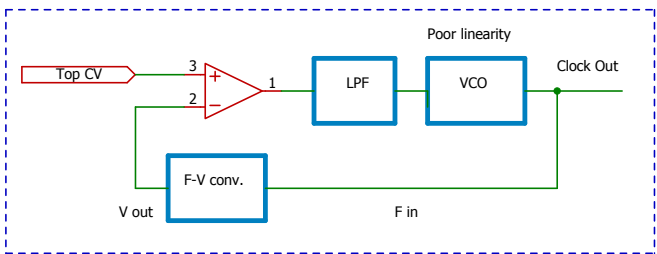
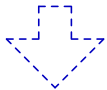
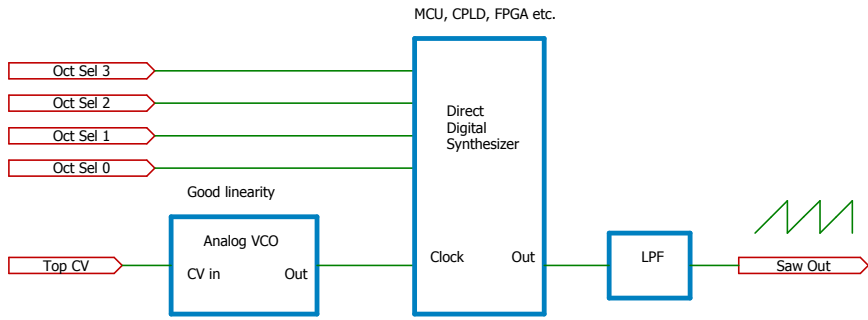


Hybrid DDS



Linearity improvement