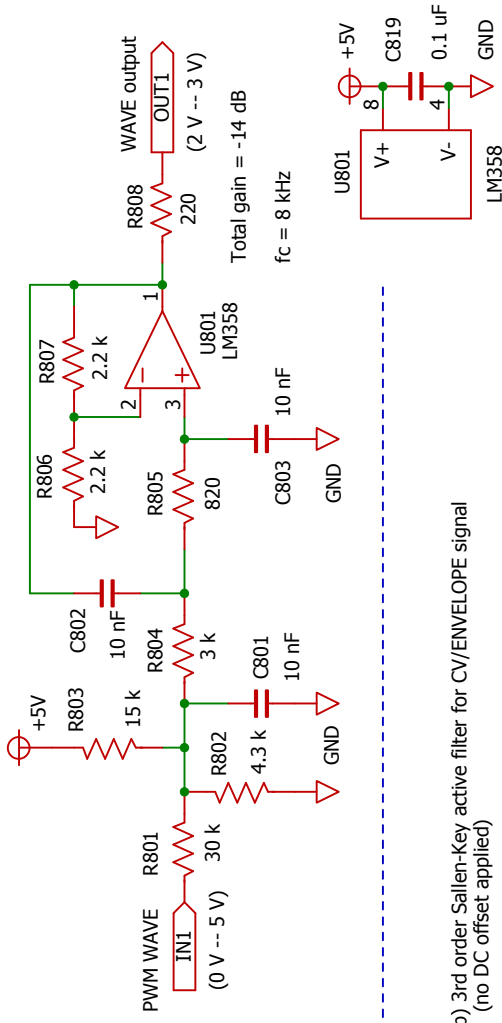
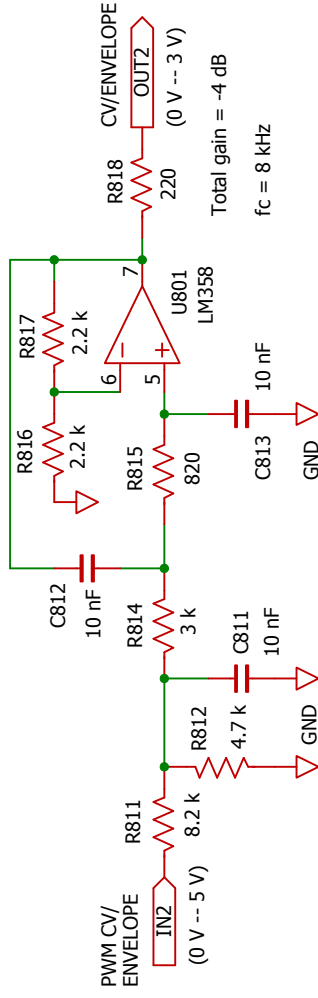


3rd order Butterworth PWM post filter

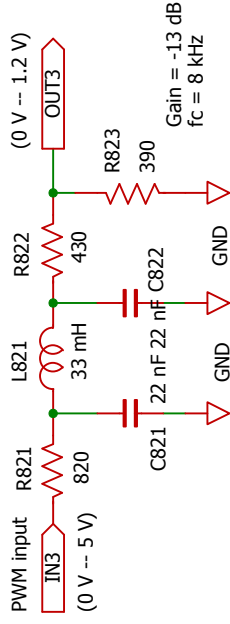
(a) 3rd order Sallen-Key active filter for WAVE (audio) signal (to center output range, DC offset applied)



(b) 3rd order Sallen-Key active filter for CV/ENVELOPE signal (no DC offset applied)



(c) 3rd order passive LC filter ($Z_o = 820 \text{ Ohm}$, $f_c = 8 \text{ kHz}$)



(d) 3rd order passive LC filter ($Z_o = 510 \text{ Ohm}$, $f_c = 4.8 \text{ kHz}$)

