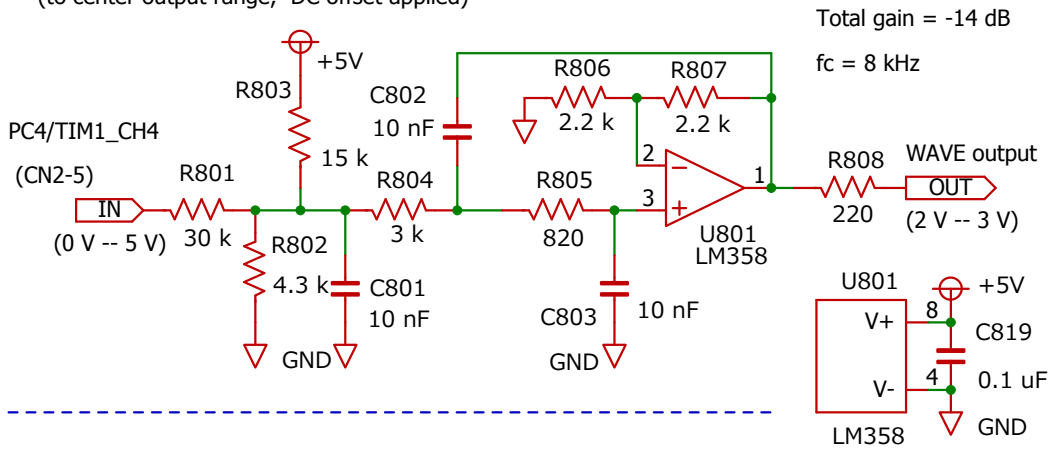
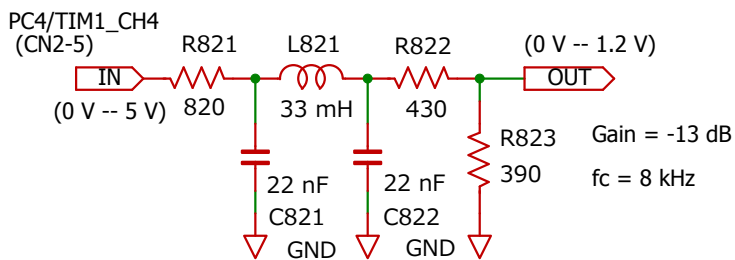


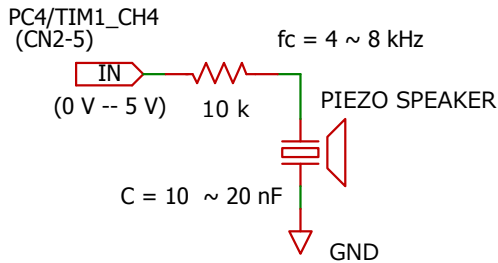
(a) 3rd order Sallen-Key active filter for WAVE (audio) signal
(to center output range, DC offset applied)



(b) 3rd order passive LC filter ($Z_o = 820 \text{ Ohm}$, $f_c = 8 \text{ kHz}$)



(c) Piezo speaker with resistor



(d) Piezo speaker without resistor

